



SPV150 POOL PUMP

SuperEfficient
Variable Speed

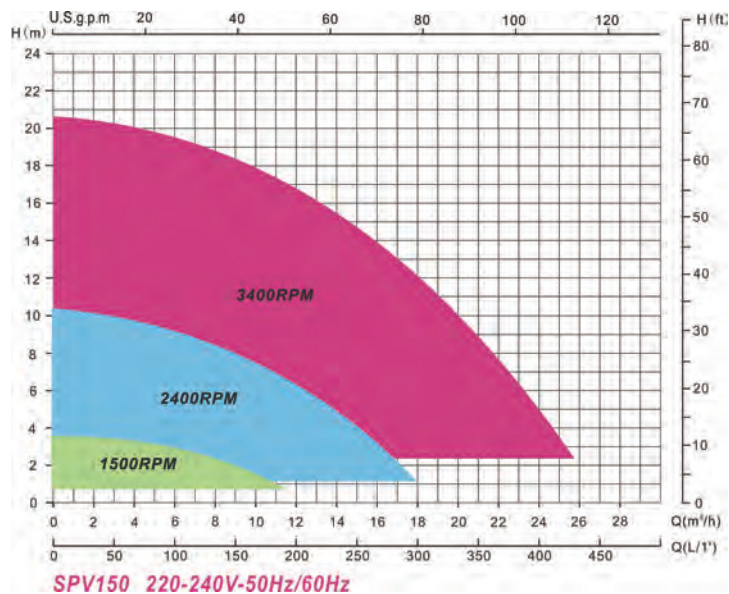
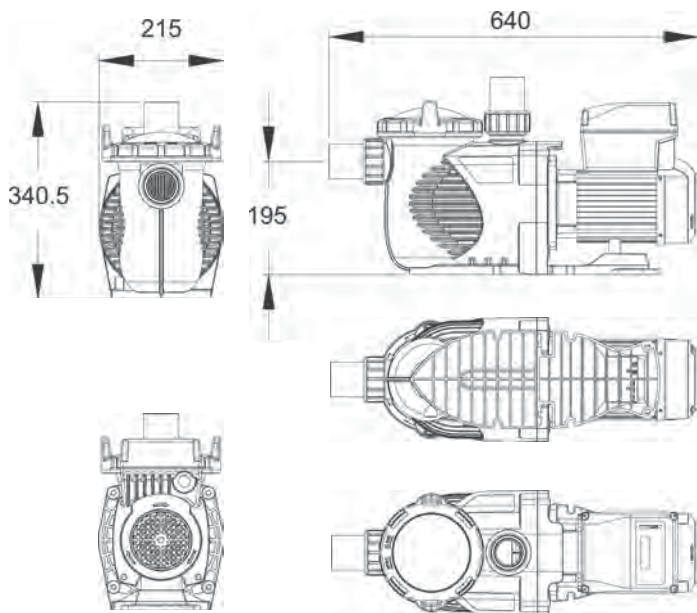


45 - 47 Paul Matthews Road, Albany Auckland New Zealand
Phone: (09) 415 1499 Fax: (09) 415 1498
Email: filtermaster@xtra.co.nz Web: www.filtermaster.co.nz
FULLY NEW ZEALAND OWNED AND OPERATED

Main Advantages

Filtermasters Variable Speed Pump utilizes the latest Permanent Magnet Motor (PMM) technology. This technology produces a magnetic field between the rotor and windings. The energy saving is achieved from the ability to reduce the RPM of the motor itself. The PMM motor gains efficiency from the magnets working to spin the rotor, which achieves considerable energy cost savings.

SPV Energy Efficient Pump



Code	Model Code	Power	Connection	Input Power (Max.)	Horsepower	RPM
9807	SPV150	220-240V, 50Hz/60Hz	40mm/50mm	1.3kW	1.5HP	800-3400rpm

Highlight Features

- Permanent Magnet Motor (PMM), Totally Enclosed Fan Cooled (TEFC)
- Pump casing ABS + % glass filled, Impeller PPO (SABIC) Strainer basket and base in PP + % Glass filled
- Motor shaft SS316, Seals bellows-EPDM stationary face-SIC rotating face-Graphite Spring-SS316
- Super Quiet Operation when running at the low RPM mode
- Designed and constructed to maximize the pump's hydraulic performance

With Advanced Menu

- One touch controller, preset speed programs, schedules to have the most efficient pool, spa or water feature connected.



Filtermaster warranty on this product.
All parts 2 years.
Infield Labour cost (if applicable). 1 year



www.filtermaster.co.nz

