



# FX RANGE



• *Super quiet for Pools & Spas*

• *Top flow rates*

• *Non corrosive construction*

• *Totally enclosed fan cooled motor*



45 - 47 Paul Matthews Road, Albany Auckland New Zealand

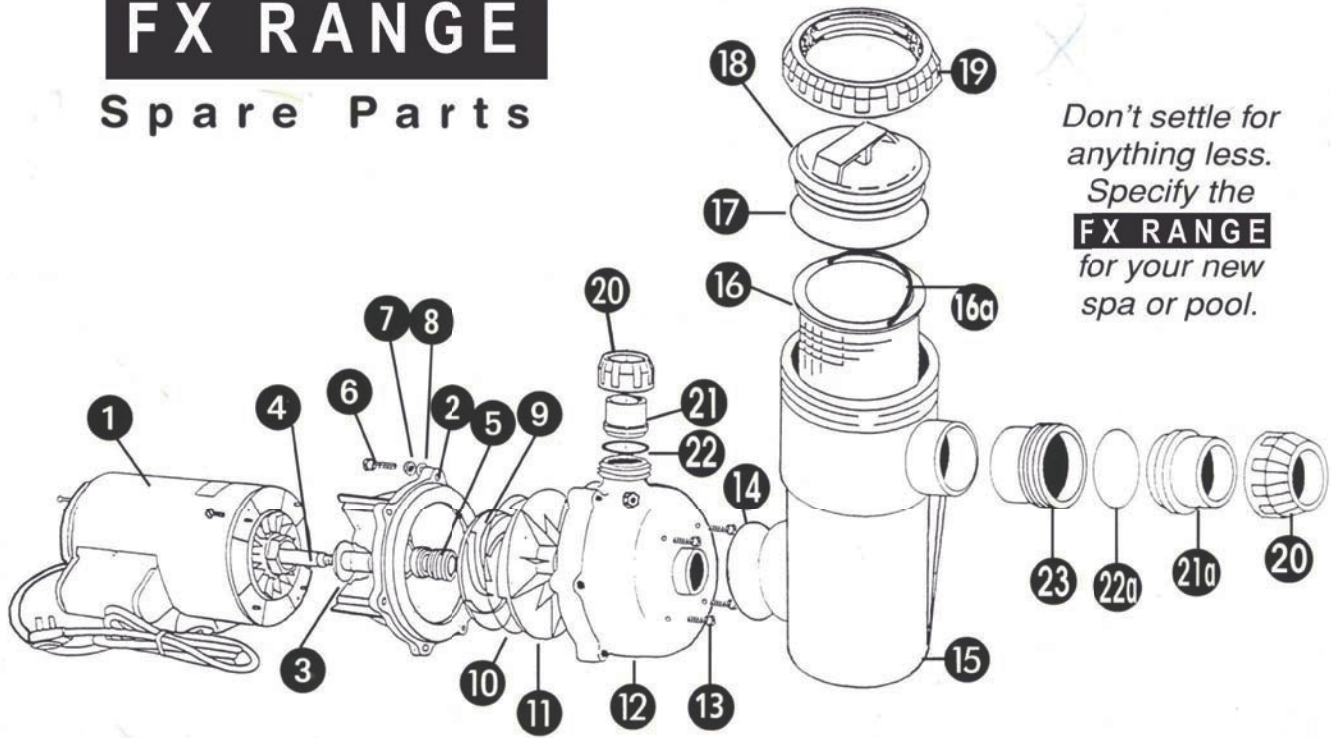
Phone: (09) 415 1499 Fax: (09) 415 1498

Email: [filtermaster@xtra.co.nz](mailto:filtermaster@xtra.co.nz) Web: [www.filtermaster.co.nz](http://www.filtermaster.co.nz)

**FULLY NEW ZEALAND OWNED AND OPERATED**

# FX RANGE

## Spare Parts



Don't settle for anything less. Specify the **FX RANGE** for your new spa or pool.

- |    |                        |    |  |     |                             |
|----|------------------------|----|--|-----|-----------------------------|
| 1  | 550 watt .75 HP Motor  | 9  | 550 watt .75 HP Motor Enclosed Impellor  | 16a | Hair Lint Pot Basket Handle |
| 1a | 750 watt 1.0 HP Motor  | 9a | 750 watt 1.0 HP Motor Enclosed Impellor  | 17  | Hair Lint Pot Lid O Ring    |
| 1b | 1100 watt 1.5 HP Motor | 9b | 1100 watt 1.5 HP Motor Enclosed Impellor | 18  | Hair Lint Pot Lid           |
| 2  | Pump Body              | 10 | Pump Body O Ring                         | 19  | Hair Lint Pot Lock Ring     |
| 3  | Pump Shroud            | 11 | Pump Baffle                              | 20  | 40mm Lock Ring              |
| 4  | Pump Shroud O Ring     | 12 | Pump Body                                | 21  | 40mm Tail                   |
| 5  | Seal Belt              | 13 | Pump to Hair Lint Pot Bolts              | 21a | 40mm swivel Tail            |
| 6  | M8 40 Bolt             | 14 | Hair Lint Pot Body O Ring                | 22  | 40mm O Ring                 |
| 7  | M8 Nut                 | 15 | Hair Lint Pot Body                       | 22a | 40mm swivel O Ring          |
| 8  | M8 Washer              | 16 | Hair Lint Pot Basket                     | 23  | 50mm Tail                   |

### PUMP DATA:

Standard Units - Single Phase. 230 volts 50 cycles continuous rating.

### Power Range:

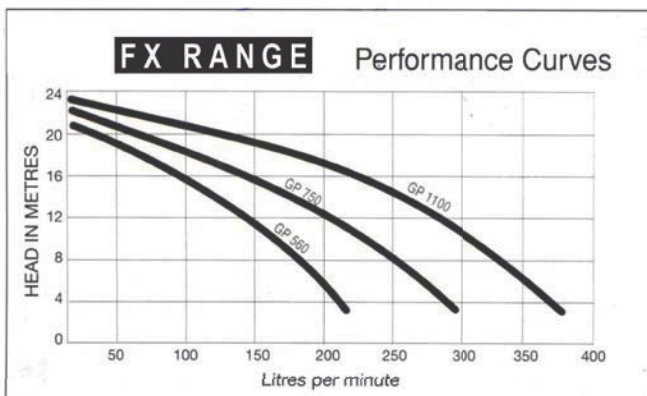
560w, 750w, 1100w.

### Construction:

Injection moulded GF/ABS and GF/Polypropylene. Stainless steel fasteners.

### Inlet/Outlet:

50mm/40mm barrel unions. Totally enclosed motor. None corrosive, all parts are injection moulded.



AUTHORISED DEALER



45 - 47 Paul Matthews Road, Albany Auckland New Zealand  
 Phone: (09) 415 1499 Fax: (09) 415 1498  
 Email: filtermaster@xtra.co.nz Web: www.filtermaster.co.nz  
**FULLY NEW ZEALAND OWNED AND OPERATED**