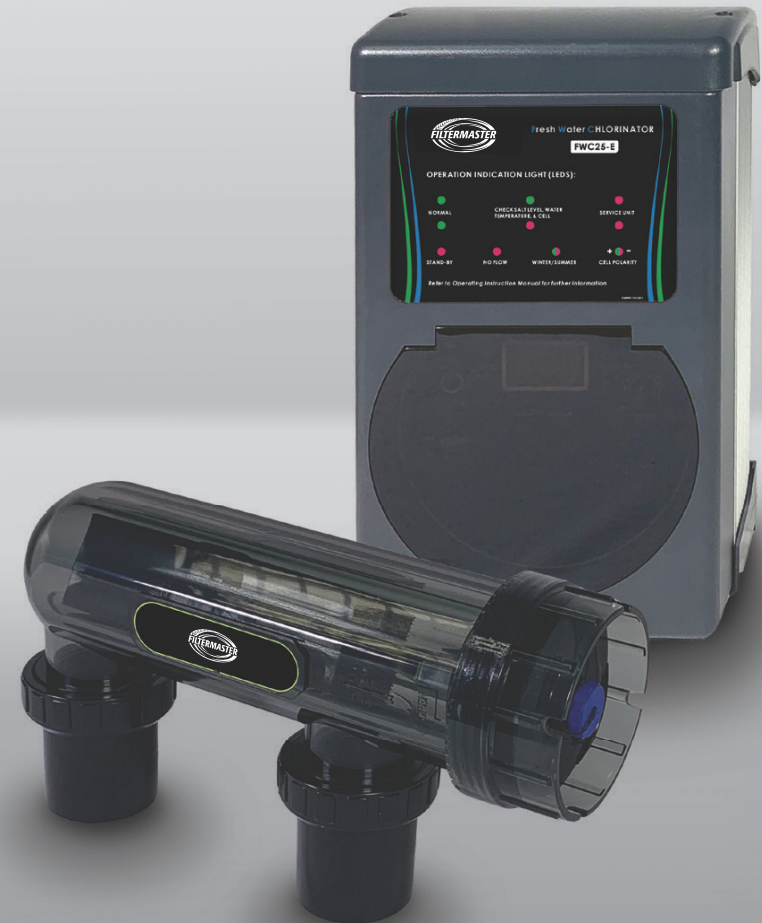




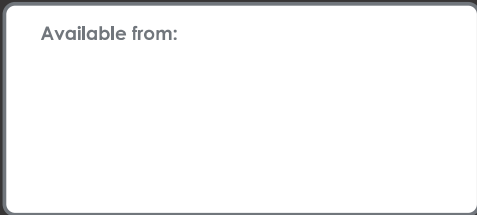
45 - 47 Paul Matthews Road, Albany Auckland New Zealand
Phone: (09) 4151499 Email: filtermaster@xtra.co.nz
Web: www.filtermaster.co.nz
FULLY NEW ZEALAND OWNED AND OPERATED

FRESH WATER POOL PURIFIER

Minimizes the use of chlorine and chemicals
For residential and semi-commercial pools



Available from:



ALL SPECIFICATIONS ARE SUBJECT TO CHANGE WITHOUT NOTICE.



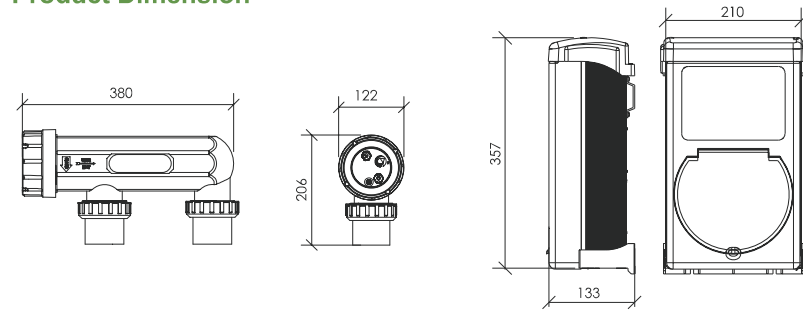
Product Features

Automatic Disinfection System

Our Fresh Water Pool Purifier represents a significant product upgrade that consolidates many years of design and user experience with salt chlorination. The power supply controller arrives with a new and modern design offering a more user-friendly interface and advanced system protection programmes to deal with various operating environments. This system utilises an extremely low level of salt (1500-2000ppm) to perform the sanitising process.



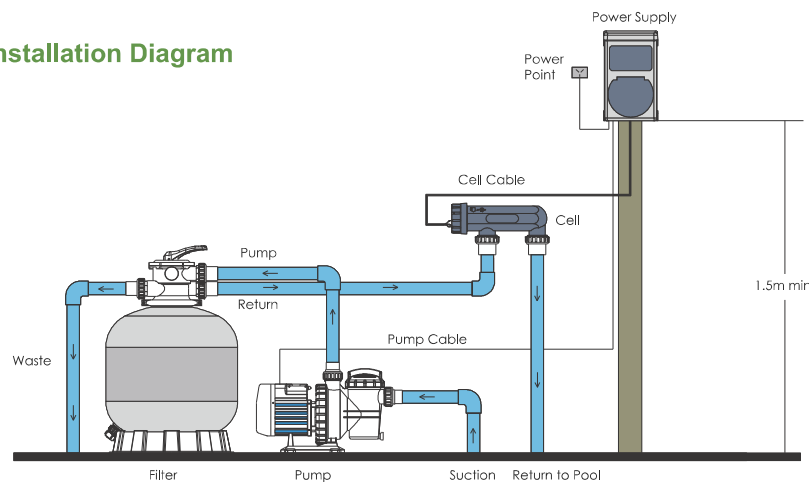
Product Dimension



Technical Information

Code	Model	Description	Salt Level (ppm)	Cell Output (gram/h)	Fiberglass Pool(L)	Concrete Pool(L)	Input Voltage /Freq	IP Rating	Weight (kg)
9130033	FWC25-E	Standard Version	1500	25	75,000	70,000	240V 50/60Hz	IPX4	7.5
9130032	FWC25-T	With Time Clock	1500	25	75,000	70,000	240V 50/60Hz	IPX4	7.5

Installation Diagram



Features

1. Chlorinator Generation: 25g/hr
2. Low level of salt (1500-2000ppm)
3. Improved user interface and system status indication
4. Adopts higher operation temperature with upgraded electronic components
5. Programmed for high-temperature protection to prevent the system from overheating due to high salt level or high ambient temperature
6. Self-cleaning reverse polarity
7. Quality titanium cells
8. Models come with a time clock to automatically control pool pump running times

